

# LA/OC SMTA CHAPTER NEWS

June 2005 EDITION

## LA/OC SMTA is Proud to Present...

June 2005  
Presentation/Dinner Meeting

### Speaker

Andrew Whittingham

### Topic

ALCON Lab's Plant Tour

### DATE

Thursday, June 16th, 2005

### AGENDA

6:00PM, Dinner Presentation

7:00PM, Plant Tour

### MEETING FEES

\$20, Members

\$25, Nonmembers

### MENU

Pat & Oscar's Catering

### LOCATION

ALCON Surgical  
15800 Alton Pkwy  
Irvine, CA 92618



## LA/OC SMTA Chapter is Proud to Present...

### June 2005 Presentation/Dinner Tour Meeting

Alcon Laboratories, Inc.

**Presented By: Andrew Whittingham, PCB/Cable Operations' Manager**

#### PRESENTATION ABSTRACT

You are invited to attend an informative evening at Alcon's Irvine Technology Center (ITC), home to the company's ophthalmic surgical R&D and manufacturing division. This presentation will highlight the continuous improvement efforts the PCB Operations' Team has implemented and how this contributes to the overall success of the organization.

By adopting a philosophy of continuous improvement, the PCB Operations Team has made many contributions, demonstrated the value of keeping assembly in-house, and saved over \$4.5 million in cost avoidance. Alcon has been successfully assembling PCBA's in-house for over 20 years. See how Alcon successfully and profitably manufactures low-volume, high-mix, reliable PCB's.

#### Some of the topics to be discussed will include:

- Manufacturing of High-Mix / Low-Volume, High-Reliability Products
- Lean Manufacturing / 5S
- Managing "End of Life" Components & Products
- Process & Equipment Improvements
- Advanced Inventory Control Techniques
- Supporting New Product Launches & Time to Market
- Process Improvements – "More with Less"
- Cost Reductions and Avoidance

The evening will start with a presentation highlighting the above-mentioned topics followed by a plant tour – where you will see the areas in which surgical products and PCB'S are manufactured.

#### SPEAKER PROFILE

Andrew Whittingham is the PCB/Cable Operations' Manager at Alcon, Irvine, and is responsible for the production, materials, and manufacturing engineering support. Andrew has been involved in the Medical Industry for over 15 years and has 20 years experience in the PCB industry. Andrew and the PCB Team, represented by Mark Espinosa, Joe Vo, Daniel Krach, Long Nguyen, Kelly Mobley, and Ron Wright, will be the guides for the informative evening.

Alcon Laboratories, Inc. is the world's leading eye care company with sales exceeding \$3.9 billion in 2004. Alcon, which has been dedicated to the ophthalmic industry for over 50 years, develops, manufactures, and markets pharmaceuticals, surgical equipment and devices, contact lens solutions and other vision care products that treat diseases, disorders, and other conditions of the eye and the ear.

## LA/OC SMTA & IPC CCA is Proud to Present...

August 2005 6th Annual  
Aloha Golf Get Together

### DATE

Thursday, August 4th, 2005

### AGENDA

10:30am Sign-In / Warm-Up

12:30pm Shot Gun Start

5pm Awards Banquet

### MEETING FEES

\$110 / Player

\$35 / Banquet Only

\$200 / Sponsorship

### MENU

Steak & Swordfish

### LOCATION

California Country Club  
1509 South Workman Mill Rd.  
Whittier, CA 92601  
(626) 333-4571

Please see flyer on Page 10  
for More Details.

### EVENT RESERVATIONS

<http://www.laocsmta.org/reservation.php>

### NO SHOWS WILL BE INVOICED

If you can not attend, please cancel your reservation by 12 Noon on Wednesday, prior to the meeting. See you there!

#### What's Inside this Months News Letter...

- Page 2.....Presidents Message
- Page 3,4, &5...May 2005 Meeting Review
- Page 6 & 7.....2005 6th Annual SMTA/CCA Aloha Golf 'Get Together' Sponsors
- Page 8.....SMTA Student Chapter Formation Invitation
- Page 9.....SMTA Student Chapter Formation Start-Up Form
- Page 10 & 11..2005 6th Annual Golf Flyer & Advertisements

## CHAPTER OFFICERS

### *President*

**Scott Penin, CSMTPE**  
**Paradigm Manufacturing Partners**  
 11562 Knott Avenue, Unit 17  
 Garden Grove, Ca. 92841  
 TEL: 714.889.7074  
 FAX: 714.889.7062

E-mail: [spenin@paradigmmanufacturing.com](mailto:spenin@paradigmmanufacturing.com)

### *Vice- President*

**Atul Mehta**  
**Jet Propulsion Laboratory**  
 Pasadena, CA  
 TEL: 818.393.2962  
 FAX: 818.393.5055

E-mail: [acmehta@jpl.nasa.gov](mailto:acmehta@jpl.nasa.gov)

### *Vice-President of Membership & Vendor Advertisement Chairman*

**Michelle Ogihara**  
**Seika Machinery, Inc.**  
 3528 Torrance Blvd., Suite 100  
 Torrance, CA  
 TEL: 310.540.7310

E-mail: [michelle-o@jp.seika.com](mailto:michelle-o@jp.seika.com)

### *Vice-President of Education & Secretary*

**Kathy Palumbo**

**Production Analysis & Learning Services, LLC**  
 5 Homestead Drive  
 Trabuco Canyon, CA  
 TEL: 949.713.7229  
 FAX: 949.713.7229

E-mail: [palsrvs@palsrvs.com](mailto:palsrvs@palsrvs.com)

### *Vice-President of Technical Programs*

**Dick Garlic**  
**RG & Associates**  
 Aliso Viejo, CA  
 TEL: 949.643.1822  
 FAX: 949.215.4240

E-mail: [rgarlic@cox.net](mailto:rgarlic@cox.net)

### *Treasurer*

**Riki Brown**  
**Golden West Technology**  
 Fullerton, CA  
 TEL: 714.738.3775  
 FAX: 714.738.7727

E-mail: [rikigb@earthlink.net](mailto:rikigb@earthlink.net)

### *Golf Tournament Chairman*

**Frank Kurisu**  
**SolderMask, Inc.**  
 17905 Metzler Lane  
 Huntington Beach., Ca. 92647  
 TEL: 714.842.1987

Email: [fkurisu@msn.com](mailto:fkurisu@msn.com)

## Presidents Message

**By: Scott Penin**

Summer is on its way. Please join us for our yearly plant tour. This year we will be visiting ALCON Laboratories in Irvine on June 16<sup>th</sup>. We are limited to the number of members who can attend, so please make your reservations early by using our website ([www.laocsmta.org](http://www.laocsmta.org)). I understand they have increased performance by incorporating continuous improvement. The dinner will be provided by Pat & Oscars and will consist of some excellent food.

The Golf Get-together is just around the corner, (August 4<sup>th</sup>) please sign up as a golfer and/or sponsor or just be a volunteer. It is always a great day and we finish up with a banquet serving prime rib and swordfish with tons of raffle prizes.

To finish off the warm months, we will be having a 2 for 1 special presentation. When you sign up for the meeting, you are invited to bring a friend for FREE. As you may know, IPC-A-610 and J-STD-001 were both updated in February. We have asked Ken Moore of Omni Training to update us to the most recent improvements included acceptance criteria for lead-free soldering.

National elections are getting close. If you are interested in serving on the national board, please contact Viki Hamada at 408-982-0161 for further information. It is a great opportunity to aid in the direction of our society.

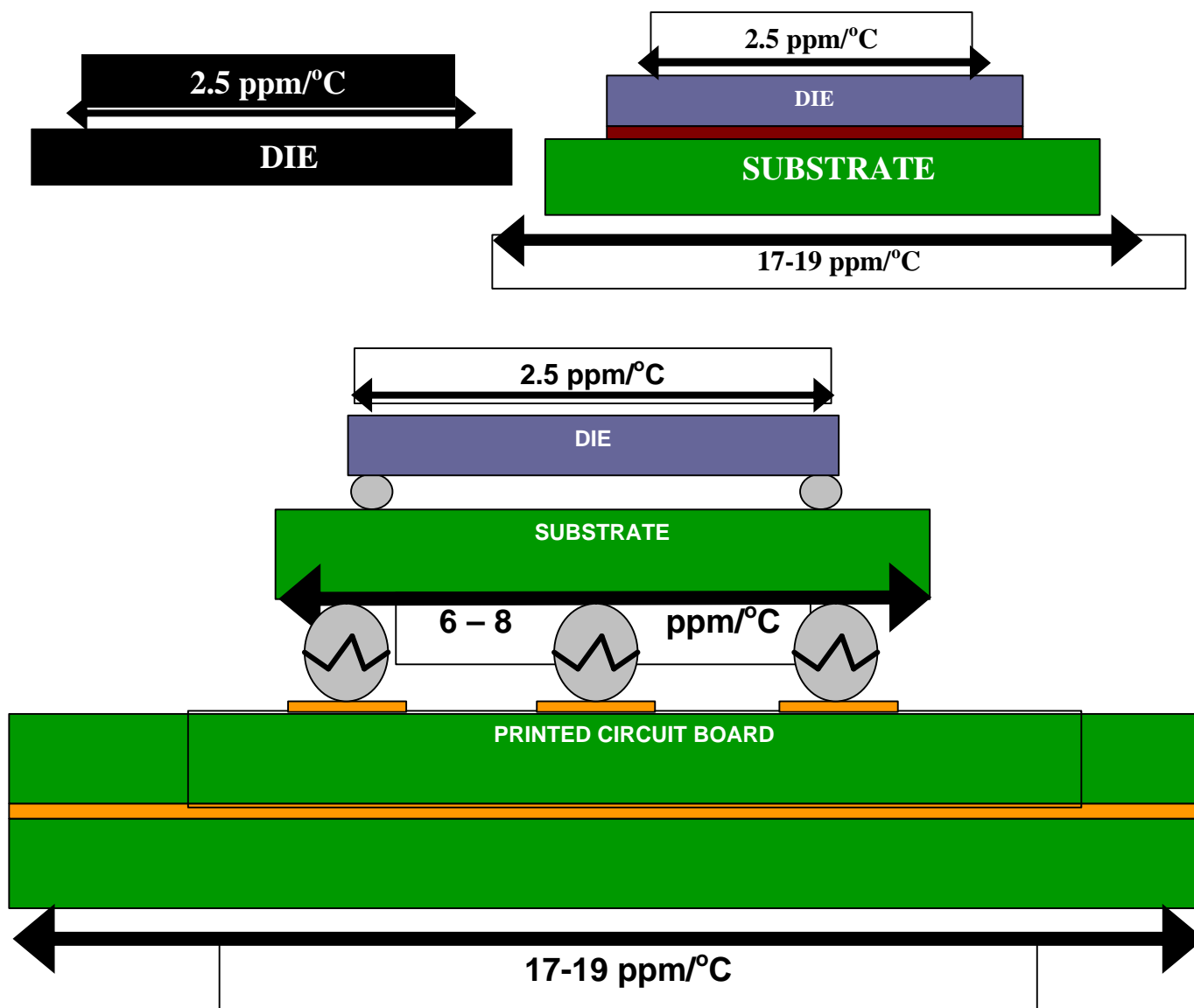
As always, if you have any suggestions that will assist or improve our chapter, please contact us at [www.laocsmta.org](http://www.laocsmta.org).

## May 2005 Meeting Review

### "PCB Thermal Management"

Written By: Kathy Palumbo, PA&LS, LLC

Thermal Work's VP of Marketing Don Roy gave this month's presentation. The topic was on a new laminate material called STABLCOR, which can greatly aid in thermal management as well as in the reduction of CTE mis-matches. Many of us are well aware of the CTE mis-match issues, which can lead to field failures. This is especially true when the units' end use environment includes both extreme temperature ranges as well as vibration. Using a higher Tg PCB material and/or raising the distance the suspect device sits off the laminate material can typically aid in reducing a CTE issue. This allows for expansion and contraction in the Z-Axis without stressing the solder connections. Thermal Works has developed a laminate material that can optimize a CTE mismatch so the issue is designed out of the product and CTE will no longer be of concern. Below are examples of CTE mis-matches:

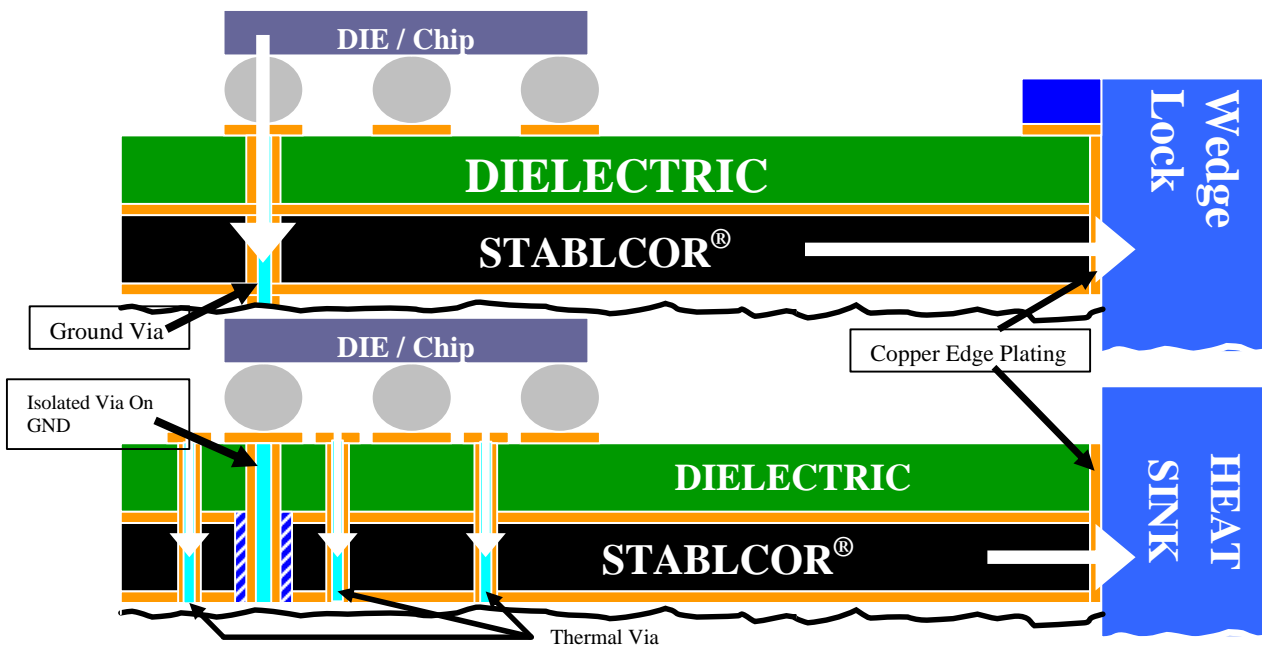


The material, STABLCOR, is a laminate technology for PCB's & substrates. It is a thermally and electrically conductive composite material that can be used as a plane layer. It is available in C-Stage (Cured) and comes in the standard 18" X 24" standard size sheets.

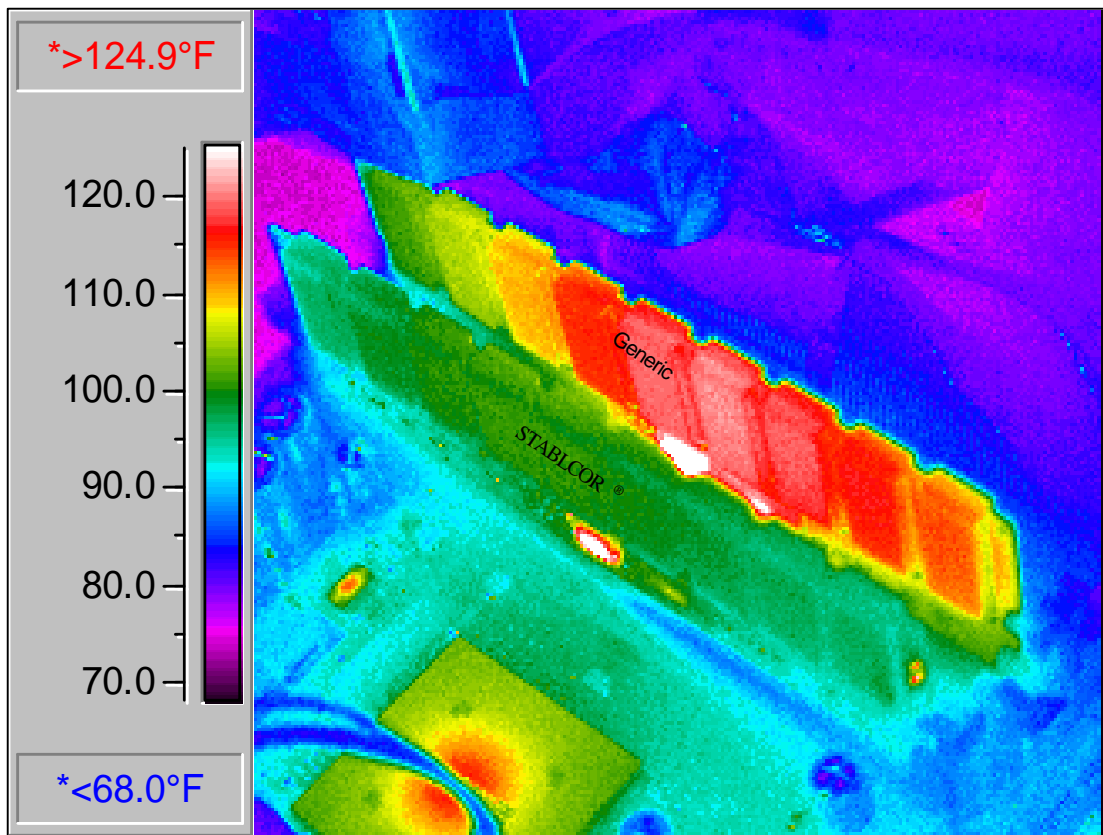


STABLCOR® laminate enables the reduction of junction temperature of components, tailors the co-efficient of thermal expansion (CTE), increases the stiffness, eliminates the need for mechanical reinforcements or stiffeners, increases assembly yield in high I/O components, reduces thermal fatigue & warpage, and increases shock and vibrate reliability. All of these benefits can be obtained at no weight premium. In other words STABLCOR will reduce the overall weight of the design.

Basically STABLCOR also allows for better thermal management control by providing a path for the heat to be pulled out of the unit while under power. Below is a diagram of how this occurs, and this can be configured many different ways to fit your specific design needs.



To better demonstrate how well STABLCOR can assist in better thermal management a thermal image was created of two 1Gig memory modules. The picture below demonstrates that the unit with STABLCOR has better thermal characteristics than the one without.



Several board houses have been qualified to use STABLCOR and if you are interested in finding out more about the material and how to include it in your design you may do so at <http://www.thermalworks.com> or by contacting Don Roy at (714) 960-5152 ext 201 or [don-roy@thermalworks.com](mailto:don-roy@thermalworks.com).

The chapter would like to thank Don and everyone with Thermal Works for an excellent and informative presentation.

**LA/OC SMTA CHAPTER & IPC's CCA ARE PROUD TO PRESENT OUR**

# **6th Annual *Aloha* Golf "Get Together"**

**Thursday**

**August 4th, 2005**

**Shotgun Start 12:30pm**

**California Country Club**

**1509 South Workman Mill Road**

**Whittier, CA 90601**

**(626) 333-4571**

**Cost is \$110 per player, & includes, Green Fees, Shared Cart,  
Warm Up Balls. & Awards Banquet.**

---

**2005 SMTA/CCA ALOHA GOLF TOURNAMENT SPONSORS****3D Rapid Prototyping, LLC**

1st Year Sponsor

<http://www.3drapidprototyping.com/index.html>**3M**

4th Year Sponsor

<http://www.3m.com>**A-CAL / Associated Calibration, Inc.**

3rd Year Sponsor

<http://www.a-calinc.com>**ADS Gold, Inc.**

5th Year Sponsor

714.632.1888 / Pat Lopez

**Advanced Book Keeping Service**

3rd Year Sponsor

714.842.4911 / Susan Le Bouf

**Advanced Micro Systems**

2nd Year Sponsor

<Http://advms.com>**AIM Solder**

3rd Year Sponsor

<http://www.aimsolder.com>**Allen, Haight, Cooney & Monaghan, LLP**

5th Year Sponsor

<http://www.ahcllp.com>**Burkle North America**

4th Year Sponsor

<http://www.burkleusa.com>**C.A. Picard, Inc.**

3rd Year Sponsor

<http://www.capicard.com>**Circuitree Magazine**

2nd Year Sponsor

<http://www.circuitree.com>**Circuits Unlimited, Inc.**

1st Year Sponsor

<http://www.flexiblecircuitry.com>**Coates Circuit Products**

3rd Year Sponsor

<http://www.coates-screen.com>**DuPont Electronics**

5th Year Sponsor

<http://www.dupont.com>**EMI Solutions**

1st Year Sponsor

<http://www.4emi.com>**eMT**

5th Year Sponsor

<http://www.emtllc.com>**Evolution Laser Technology, L.L.C.**

2nd Year Sponsor

<http://www.evolutionlt.com>**Express Manufacturing**

1st Year Sponsor

<http://www.eminc.com>**FastSigns**

4th Year Sponsor

<http://www.fastsigns.com/193>**GC Aero, Inc.**

3rd Year Sponsor

<http://www.gcaero.com>**GemTech, Inc.**

4th Year Sponsor

<http://www.gemtechpowder.com>**Heller Industries, Inc.**

1st Year Sponsor

<http://www.hellerindustries.com>**Hyatt Die Casting**

1st Year Sponsor

<http://www.hyattdiecast.com>**Microtek Laboratories**

3rd Year Sponsor

<http://www.thetestlab.com>

---

---

## 2005 SMTA/CCA ALOHA GOLF TOURNAMENT SPONSORS

### National Graphic Supply

5th Year Sponsor

<http://www.ngspcb.com>

### Omni Training Corp

5th Year Sponsor

<http://www.omnittraining.com>

### Perkin Elmers Optoelectronics

1st Year Sponsor

<http://optoelectronics.perkinelmer.co>

### Petlock, Inc.

1st Year Sponsor

<http://www.petlock.com>

### P. Kay Metal, Inc.

4th Year Sponsor

<http://www.pkaymetal.com>

### Practical Components

5th Year Sponsor

<http://www.practicalcomponents.co>

### Precision Engine Controls Corporation

1st Year Sponsor

<http://www.precisioneng.com>

### Prestige Metal Recyclers, Inc.

4th Year Sponsor

<http://prestigemetal.uswestdex.com>

### Prime PCB

1st Year Sponsor

<http://www.primepcb.com>

### Production Analysis & Learning Services, LLC

5th Year Sponsor

<http://www.palsrvs.com>

### Production Technology

4th Year Sponsor

<http://www.prod-tech.com>

### RBC Dain Rauscher

3rd Year Sponsor

<http://www.rbcdain.com>

### REStronics Southern California

4th Year Sponsor

<http://www.restronics.com>

### Revco Products, Inc.

1st Year Sponsor

<http://www.revcoproducts.com>

### Saati Print

4th Year Sponsor

<http://www.saatiprint.com>

### Seika Machinery

3rd Year Sponsor

<http://www.seikausa.com>

### SolderMask, Inc.

6th Year Sponsor

<http://www.soldermask.com>

### Speedy Circuits

2nd Year Sponsor

<http://www.speedycircuits.com>

### Sprig Circuits, Inc.

1st Year Sponsor

<http://www.sprigcircuits.com>

### Taiyo America, Inc.

3rd Year Sponsor

<http://www.taiyo-america.com>

### Technic Inc.

4th Year Sponsor

<http://www.technic.com>

### Technical Devices Company

6th Year Sponsor

<http://www.technicaldev.com>

### Technical Duplicator Services, Inc.

1st Year Sponsor

714.778.2357 / Tage Johnson

### Tritek Circuit Products, Inc.

3rd Year Sponsor

<http://www.tritekcp.com>

### YESTech, Inc.

1st Year Sponsor

<http://www.yestechinc.com>

---



5200 Willson Road · Suite 215 · Edina, MN 55424-1343

T 952-920-7682 · F 952-926-1819 · [www.smta.org](http://www.smta.org)

## Invitation to Start an SMTA Student Chapter

The SMTA is looking to start student chapters! The mission of SMTA student chapters is to build a network of students and professionals and to create learning opportunities for students to develop skills and knowledge necessary to work in electronic assembly technologies and related business operations.

A student chapter may be established at any post secondary school that supports surface mount technology, microelectronics, electronics packaging, or related industries via programs, courses, and/or activities. Only five student members are needed to start and maintain a student chapter. The student membership cost is \$5.00 per year. You can find the application for an Associate (Student) membership on-line at [http://www.smta.org/membership/membership\\_step\\_1.cfm](http://www.smta.org/membership/membership_step_1.cfm). Membership puts students in touch with the many SMTA publications and services. It also provides student discounts on conferences along with many opportunities for professional development.

*The details of operating an SMTA student chapter are quite simple and spelled out in the "SMTA Student Chapter Guidelines and Bylaws".*

If you would like to start an SMTA student chapter at your school, please complete the "Student Chapter Start-up Application Form" that is attached.

Thanks for considering the formation of an SMTA student chapter at your school!

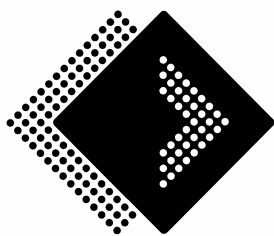
Sincerely,  
Sis Sullivan  
Student Chapter Coordinator  
[sis@smta.org](mailto:sis@smta.org)

**TO FIND OUT MORE ABOUT FORMING  
YOUR OWN STUDENT CHAPTER**

**GOTO: <http://www.laocsmta.org/Students/index.html>**

---





# SMTA

Surface Mount Technology Association

## STUDENT CHAPTER START-UP APPLICATION FORM

Application for academic year beginning \_\_\_\_\_ (Month/Year)

School Name \_\_\_\_\_

### SCHOOL ACTIVITIES THAT SUPPORT RELATED INDUSTRIES

Please describe how your school supports the surface mount technology, microelectronics, electronics packaging, or related industries, in terms of school programs, courses and or activities offered.

### FACULTY ADVISOR

Name and contact information of the **SMTA member** to serve as faculty advisor:  
(Advisor must be an SMTA member)

Faculty Advisor Name: \_\_\_\_\_

Preferred Address: \_\_\_\_\_

Business Phone: \_\_\_\_\_ Business Fax: \_\_\_\_\_

Business Email: \_\_\_\_\_ Member Number: \_\_\_\_\_

### STUDENT MEMBERS

Five **SMTA student members** are required to start and maintain an SMTA student chapter. Please list five students that are currently SMTA members at your school.

Student 1 Name: \_\_\_\_\_ Member Number: \_\_\_\_\_

Student 2 Name: \_\_\_\_\_ Member Number: \_\_\_\_\_

Student 3 Name: \_\_\_\_\_ Member Number: \_\_\_\_\_

Student 4 Name: \_\_\_\_\_ Member Number: \_\_\_\_\_

Student 5 Name: \_\_\_\_\_ Member Number: \_\_\_\_\_

Please mail, fax, or email this form to:

SMTA Headquarters  
5200 Willson Road  
Suite 215  
Edina, MN 55424  
Fax 952.926.1819  
e-mail: [sis@smta.org](mailto:sis@smta.org)  
[www.smta.org](http://www.smta.org)

All Student Chapter info (including this form) is available at : <http://www.laocsmta.org/Students/index.html>

If you have any questions please...just give us at 952-920-7682



LA/OC SMTA CHAPTER & IPC's CCA ARE PROUD TO PRESENT OUR

# 6th Annual Aloha Golf "Get Together"

**Thursday**  
**August 4th, 2005**  
**Shotgun Start 12:30pm**  
**California Country Club**  
**1509 South Workman Mill Road**  
**Whittier, CA 90601**  
**(626) 333-4571**

**Cost is \$110 per player, & includes, Green Fees, Shared Cart, Warm Up Balls, & Awards Banquet.**

Don't let this fun-filled event pass you by!  
**Mark your calendars now!**  
**You won't want to miss this event!**  
 Whether you golf or not, it is fun for everyone.

**Come join us!**  
**Don't miss the party at the 19th hole!**

**Help Needed:**  
 Volunteers to support the Big Event. Don't worry you'll be taken care of!

**Contact: Frank Kurisu**  
**with SolderMask, Inc. at**  
**[fkurisu@msn.com](mailto:fkurisu@msn.com)**

**Help Wanted:**  
 Corporate Sponsors for the Big Event. Have your company name in lights, while supporting your local chapter!

Sponsorship Cost=\$200  
 For More Sponsorship Benefit Details  
 Contact: Frank Kurisu at [fkurisu@msn.com](mailto:fkurisu@msn.com)



## Get Connected!

### CHECK OUT

Chapter News  
 Technical Articles  
 Membership Directory  
 SMTA News  
 Books

[www.smta.org](http://www.smta.org)

Those of you who are receiving this newsletter by U.S. mail, please forward your e-mail address to:

[secretary@laocsmta.org](mailto:secretary@laocsmta.org)

...so that we may e-mail the news letter to you.

This helps lower our distribution costs, which means more benefits for our members.



**Isn't It time...  
 You advertised...**



	Business Card	1/4 Page	1/2 Page
1 Month	\$ 50.00	\$ 90.00	\$ 175.00
1/2 Year (5 Issues)	225.00	400.00	750.00
1 Year (9 Issues)	375.00	675.00	1,200.00

### Submission Guidelines

**Acceptable Artwork Formats:** .pdf, .jpg, .bmp, .gif, .tif, html, & Camera Ready Artwork. Laser Printed Pages will not be accepted.

**Acceptable Font Style:** Graphic, MSWord, or html.

AD SIZES	WIDTH	LENGTH
Business Card	3.75"	2.25"
1/4 Page	3.75"	4.75"
1/2 Page	7.75"	4.75"
OR	3.75"	9.75"

### Schedule

Ads should be submitted at least one week prior to the end of the month preceding the first month of desired publication.

### Vendor Tables

Display your products and literature at a Chapter Meeting for a fee of \$100, and receive a bonus of one free 1/4 page AD for one month.

### Contact

Scott Penin

Call: (714) 403-1874 / E-Mail: [info@paradigmmanufacturing.com](mailto:info@paradigmmanufacturing.com)

## Volunteer Planning Committee Members Join Our...

# *"Habitat for Leadership Development"*

Do you enjoy working on teams and relating to others? Are you able to speak clearly and delegate to others? Are you good at collecting and analyzing data, problem solving, & planning? Do you desire to be a leader? If you can answer "YES" to some of these questions, then perhaps you would like to volunteer some of your skills for one of our many Planning Committees.

A Planning Committee member will typically donate just an hour/month performing various planning activities. The activities could range from researching various meeting locations, costs, supplies, and speakers needed, to providing incentive/survey methods and input/feedback on newsletter, website, and/or meeting content.

Many committees are available to choose from, such as the *Christmas Party Committee, Tour Meeting Committee, Chapter Training Program Committee, Golf Tournament Committee, Attendance Committee, Membership Committee, Student Chapter Committee, New Membership Committee, Fund Raising Committee, Technical Speaker Committee, and Newsletter & Website Committee.*

This is an excellent opportunity to receive free leadership skill building, improve your contacts within the industry, provide support for a mission you care about, and most of all demonstrate to your friends and colleagues that you have what it takes to be a leader.

So come on out and join one of our Volunteer Planning Committees and be a part of our ***"Habitat for Leadership Development"***!

**Remember....Life is Change...Growth is Optional...Choose Wisely!**

For More Information E-mail Michelle Ogihara at [michelle-o@jp.seika.com](mailto:michelle-o@jp.seika.com)

OR

Contact by Phone at 310.540.7310